

AC centrifugal blowers and fans

single inlet, Ø 085



- **Material:** scroll housing made of die-cast aluminium, impeller made of galvanised sheet steel
- **Type of protection:** IP 44
- **Approvals:** CE

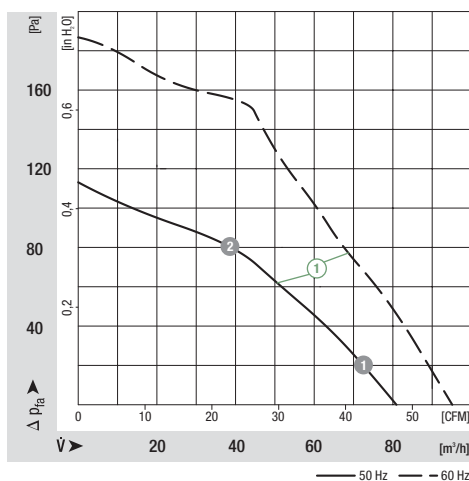
ebm-papst • Muldingen

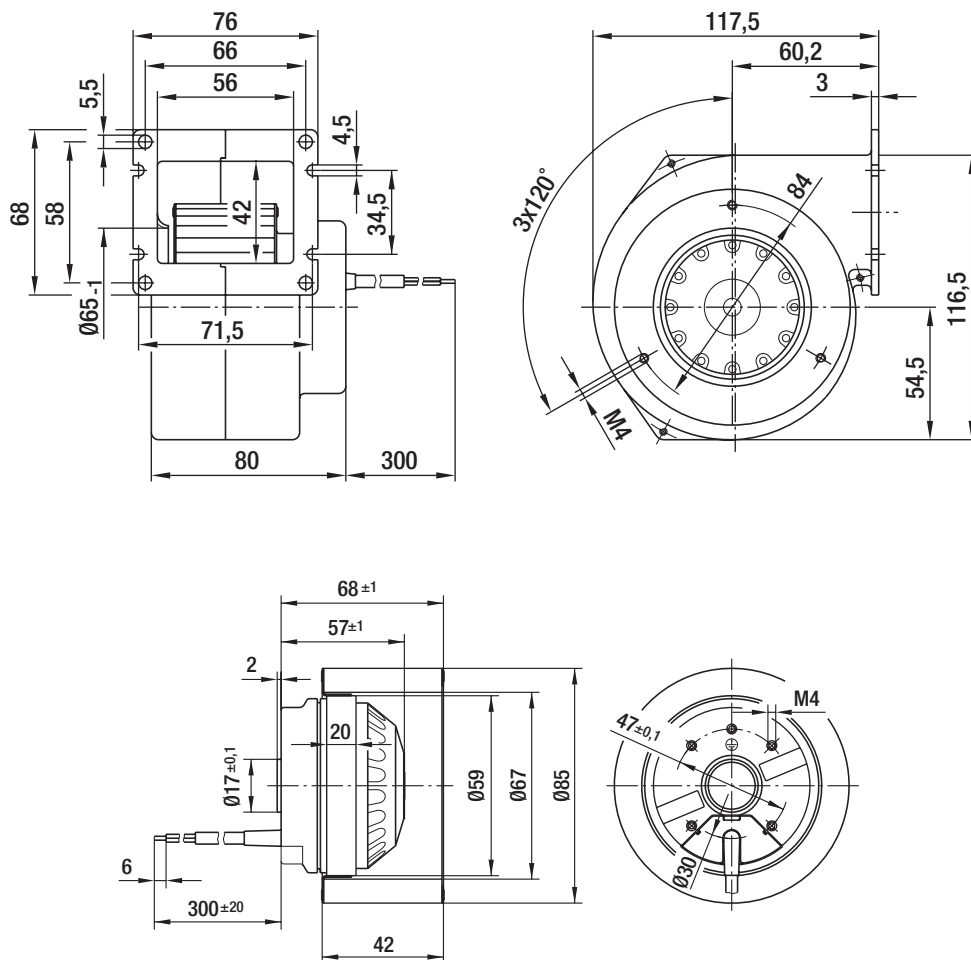
Nominal data		Characteristic	Voltage	Frequency	Air flow	Speed/rpm	Power input	Current draw	Capacitor	Sound pressure level	Min. back pressure	Perm. amb. temp.	Mass
Type	Motor	VAC	Hz	m ³ /h	min ⁻¹	W	A	µF/VDB	dB(A)	Pa	°C	kg	
G2E 085-AA01 -01 ⁽¹⁾	M2E 042-CA	① 230	50	80	2350	32	0,15	1,0/400	53	0	60	0,9	
R2E 085-AA01 -05 ⁽¹⁾		230	60	95	2800	30	0,14	1,0/400	57	0	70	0,7	

subject to alterations ① FPU (P2) capacitor in keeping with IEC 252

	n [min ⁻¹]	P ₁ [W]
① ①	2430	32
① ②	2590	30

Characteristics





AC centrifugal blowers and fans

single inlet, Ø 097



- **Material:** scroll housing and impeller made of galvanized sheet steel
- **Type of protection:** IP 44
- **Approvals:** CE

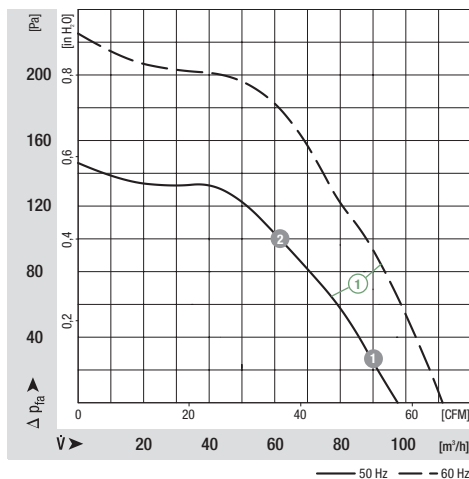
ebm-papst • Muldingen

Nominal data		Characteristic	Voltage	Frequency	Air flow	Speed/rpm	Power input	Current draw	Capacitor	Sound pressure level	Min. back pressure	Perm. amb. temp.	Mass
Type	Motor	VAC	Hz	m ³ /h	min ⁻¹	W	A	µF/VDB	dB(A)	Pa	°C	kg	
G2E 097-HD01 -02 ⁽¹⁾	M2E 042-CA	① 230	50	100	2050	35	0,16	1,5/400	55	0	40	1,1	
R2E 097-AD01 -05 ⁽¹⁾		230	60	110	2300	37	0,17	1,5/400	58	0	55	0,6	

subject to alterations ① FPU (P2) capacitor in keeping with IEC 252

	n [min ⁻¹]	P ₁ [W]
① ①	2120	35
① ②	2335	33

Characteristics



AC centrifugal blowers and fans

single inlet, Ø 108 / 120



- **Material:** scroll housing made of die-cast aluminium, impeller made of galvanised sheet steel
- **Type of protection:** IP 44
- **Approvals:** CE

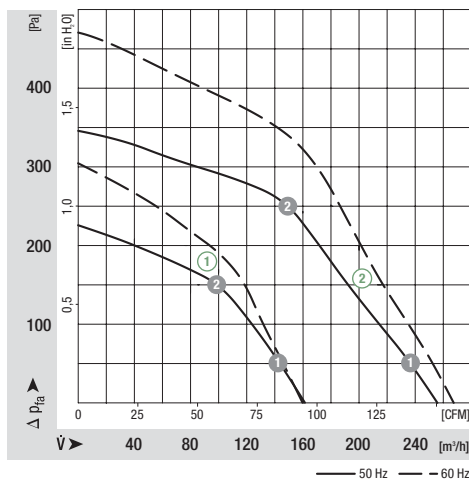
ebm-papst • Mulfingen

Nominal data		Characteristic	Voltage	Frequency	Air flow	Speed/rpm	Power input	Current draw	Capacitor	Sound pressure level	Min. back pressure	Perm. amb. temp.	Mass
Type	Motor		VAC	Hz	m³/h	min⁻¹	W	A	µF/VDB	dB(A)	Pa	°C	kg
G2E 108-AG63 -01	M2E052-BF	①	230	50	160	1850	30	0,14	1,0/400	56	0	85	1,3
R2E 108-AG63 -05			230	60	160	1850	35	0,16	1,0/400	56	0	80	0,6
G2E 120-AR77 -01	M2E068-BF	②	230	50	255	2350	80	0,35	2,0/450	61	0	55	1,8
R2E 120-AR77 -05			230	60	265	2450	100	0,44	2,0/450	62	0	60	1,2

subject to alterations

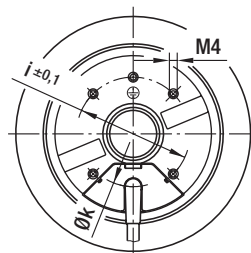
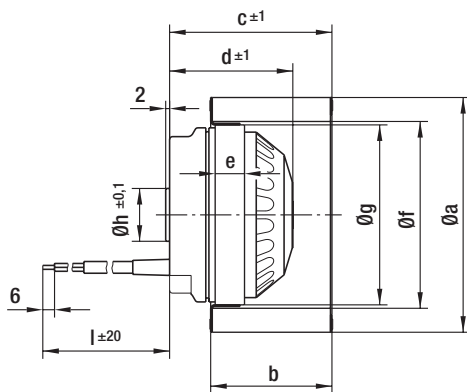
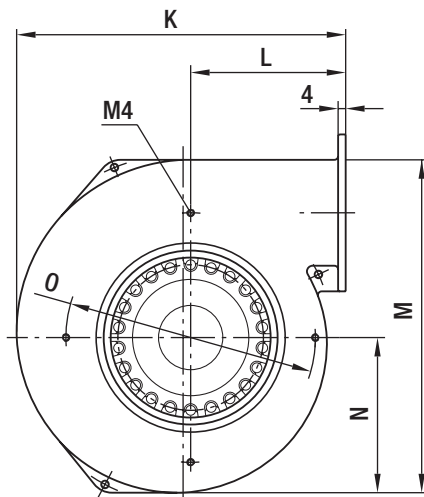
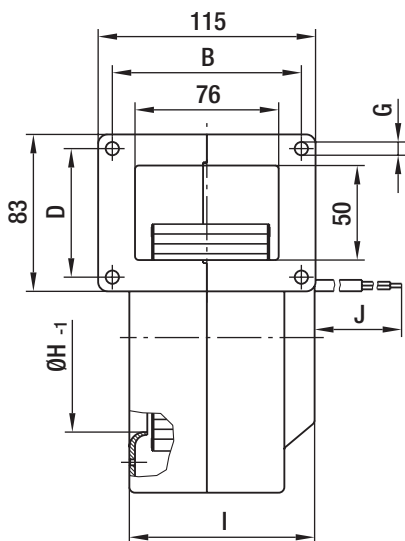
	n [min⁻¹]	P ₁ [W]
① ①	2070	34
① ②	2470	31
② ①	2460	77
② ②	2665	69

Characteristics



Dimensions

Type	B	D	G	H	I	J	K	L	M	N	O	a	b	c	d	e	f	g	h	i	k	l
G2E 108-AG63 -01 R2E 108-AG63 -05	97	66	8	87	82	300	159	79	168	71	118	108	52	63	54	15	84	72	---	58	55	300
G2E 120-AR77 -01 R2E 120-AR77 -05	100	68	7	100	98	450	178	82	184	86	132	120	62	83	63	15	96	92	27	58	55	450



AC centrifugal blowers and fans

single inlet, Ø 120 / 133



- **Material:** scroll housing and impeller made of galvanised sheet steel
- **Type of protection:** IP 44
- **Approvals:** CE

ebm-papst • Mulfingen

Nominal data		Characteristic	Voltage	Frequency	Air flow	Speed/rpm	Power input	Current draw	Capacitor	Sound pressure level	Min. back pressure	Perm. amb. temp.	Mass
Type	Motor	VAC	Hz	m³/h	min⁻¹	W	A	µF/VDB	dB(A)	Pa	°C	kg	
G2E 120-TD76 -01 ⁽¹⁾	M2E052-BF	①	230	50	190	2050	57	0,25	1,5/400	63	0	55	1,3
R2E 120-BD76 -09 ⁽¹⁾			230	60	185	2000	66	0,29	1,5/400	63	0	55	1,0
G2E 120-CR21 -01	M2E068-BF	②	230	50	275	2200	83	0,37	2,0/450	64	0	70	1,9
R2E 120-AR21 -05			230	60	255	2050	100	0,45	2,0/450	63	0	60	1,2
G2E 133-DN77 -01	M2E068-BF	③	230	50	245	2150	88	0,39	2,0/450	65	0	60	1,9
R2E 133-AN77 -01			230	60	235	2100	110	0,49	2,0/450	65	0	50	1,6

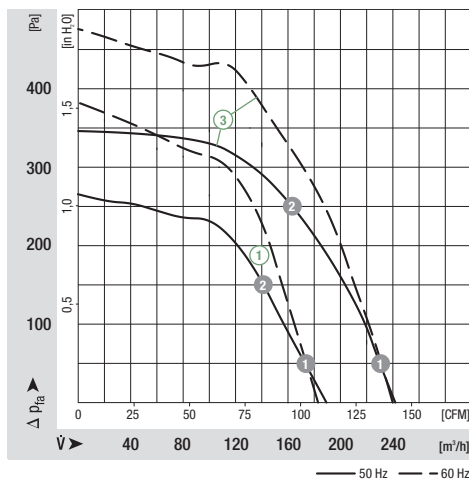
subject to alterations

⁽¹⁾ insulation class "F"

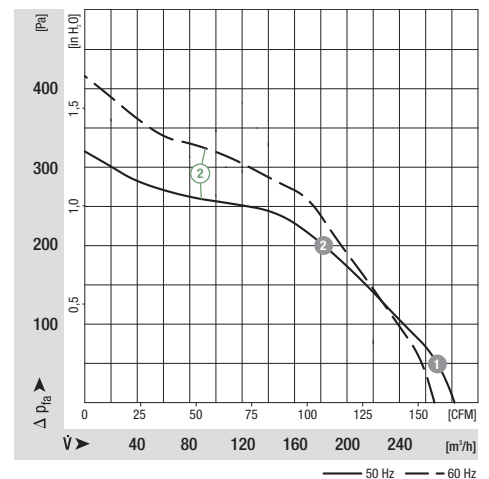
	n [min⁻¹]	P ₁ [W]
① ①	2200	54
① ②	2410	51
③ ①	2290	83
③ ②	2530	73

	n [min⁻¹]	P ₁ [W]
② ①	2335	80
② ②	2580	72

Characteristics

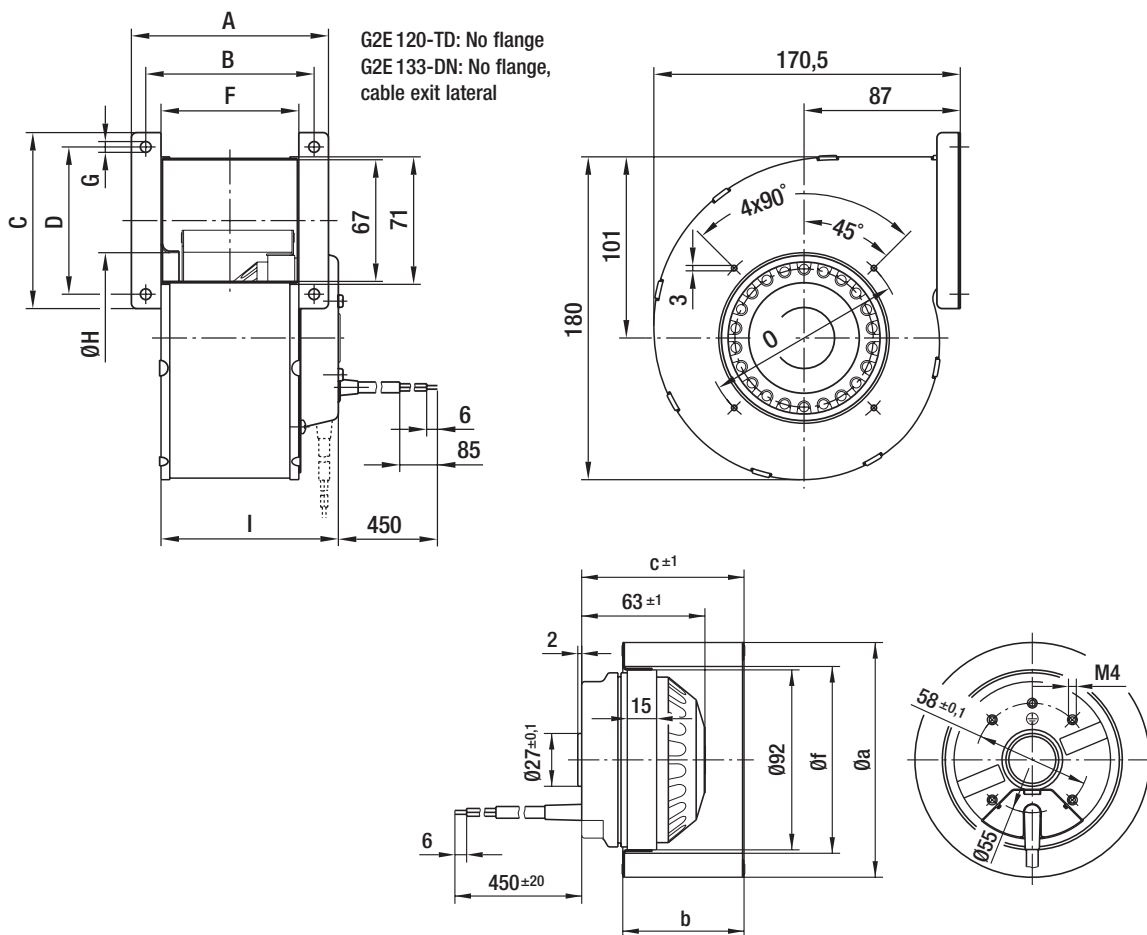


Characteristics



Dimensions

Type	A	B	C	D	F	G	H	I	O	a	b	c	f
G2E 120-TD76 -01 R2E 120-BD76 -09	---	---	---	---	59	---	95	60	110	120	42	48,0	96
G2E 120-CR21 -01 R2E 120-AR21 -05	110	94	98	82	77	6	95	99	110	120	62	85,0	96
G2E 133-DN77 -01 R2E 133-AN77 -01	---	---	---	---	59	---	112	81	140	133	46	68,5	108



AC centrifugal blowers and fans

single inlet, Ø 140



- **Material:** scroll housing made of die-cast aluminium, impeller made of galvanised sheet steel
- **Type of protection:** IP 44
- **Approvals:** CE

ebm-papst • Mulfingen

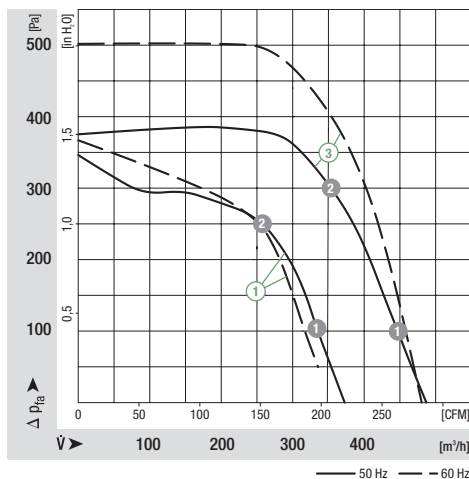
Nominal data		Characteristic	Voltage	Frequency	Air flow	Speed/rpm	Power input	Current draw	Capacitor	Sound pressure level	Min. back pressure	Perm. amb. temp.	Mass
Type	Motor		VAC	Hz	m³/h	min⁻¹	W	A	µF/VDB	dB(A)	Pa	°C	kg
G2E 140-AE77 -01	M2E 068-BF	①	230	50	370	1400	105	0,46	2,0/450	59	0	40	2,6
R2E 140-AE77 -05			230	60	335	1500	115	0,51	2,0/450	57	50	45	1,2
G2E 140-AL40 -01	M2E 068-CF	②	230	50	385	1650	135	0,60	2,0/400	63	0	55	3,0
R2E 140-AL40 -05			230	60	305	1700	145	0,64	2,0/400	60	100	40	1,7
G2E 140-AI28 -01	M2E 068-DF	③	230	50	485	2400	160	0,70	4,0/400	72	0	70	2,6
R2E 140-AI28 -05			230	60	480	2350	205	0,90	4,0/400	71	0	45	2,1

subject to alterations

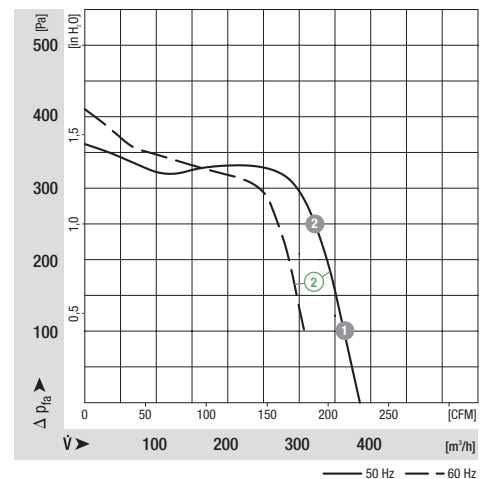
	n [min⁻¹]	P ₁ [W]
① ①	1700	98
① ②	2100	89
② ①	2485	148
② ②	2630	128

	n [min⁻¹]	P ₁ [W]
③ ①	1900	128
③ ②	2200	117

Characteristics



Characteristics



AC centrifugal blowers

single inlet, Ø 140



- **Material:** scroll housing and impeller made of heat-resistant plastic
- **Type of protection:** IP 44
- **Approvals:** CE

ebm-papst • Mulfingen

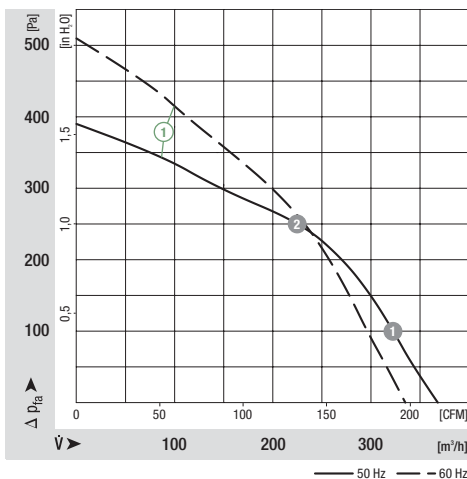
Nominal data		Characteristic	Voltage	Frequency	Air flow	Speed/rpm	Power input	Current draw	Capacitor	Sound pressure level	Min. back pressure	Perm. amb. temp.	Mass
Type	Motor		VAC	Hz	m³/h	min⁻¹	W	A	µF/VDB	dB(A)	Pa	°C	kg
G2E 140-NS38 -01	M2E 068-BF	①	230	50	370	1650	105	0,46	2,0/400	59	0	55	1,6
			230	60	315	1700	115	0,51	2,0/400	57	50	40	
G2E 140-NL33 -01	M2E 068-CF	②	230	50	445	2000	137	0,60	3,0/400	65	0	65	1,6
			230	60	390	2150	155	0,68	3,0/400	64	130	50	

subject to alterations

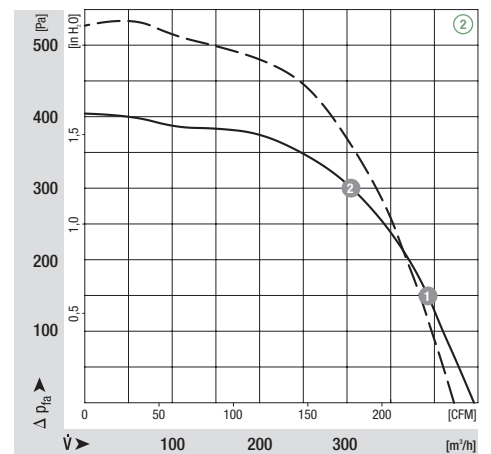
	n [min⁻¹]	P ₁ [W]
① ①	1910	98
① ②	2280	86

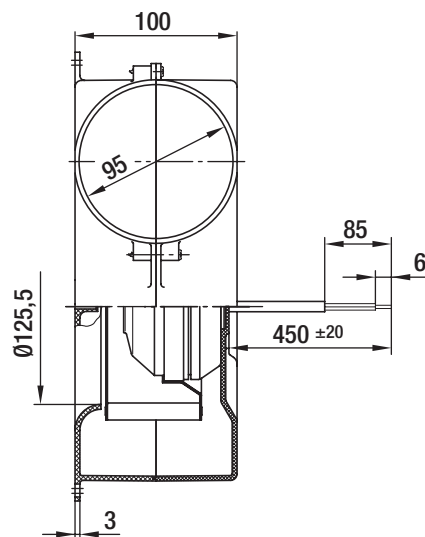
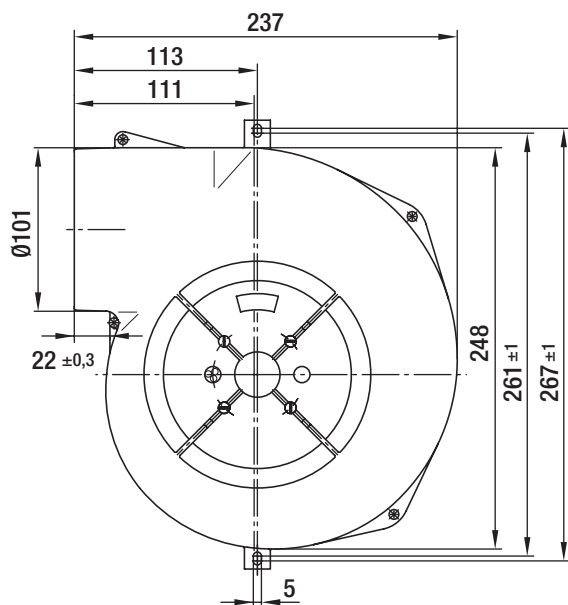
	n [min⁻¹]	P ₁ [W]
② ①	2220	123
② ②	2470	105

Characteristics



Characteristics





AC centrifugal blowers and fans

single inlet, Ø 146 / 160



- **Material:** scroll housing made of die-cast aluminium, impeller made of galvanised sheet steel
- **Type of protection:** IP 44
- **Approvals:** CE

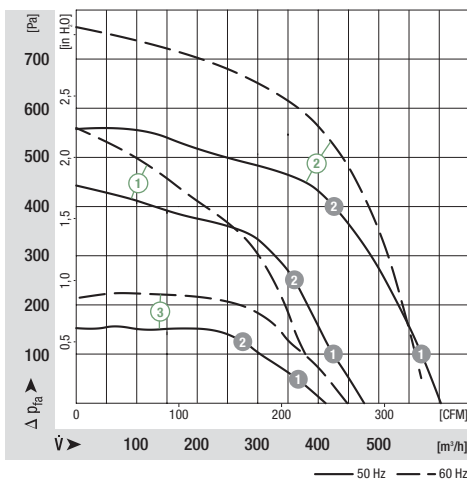
ebm-papst • Muldingen

Nominal data		Characteristic	Voltage	Frequency	Air flow	Speed/rpm	Power input	Current draw	Capacitor	Sound pressure level	Min. back pressure	Perm. amb. temp.	Mass
Type	Motor		VAC	Hz	m³/h	min⁻¹	W	A	µF/VDB	dB(A)	Pa	°C	kg
G2E 146-DW07 -01	M2E 068-CA	①	230	50	470	1550	140	0,62	3,0/450	60	0	50	2,6
R2E 146-AW07 -05			230	60	380	1750	155	0,68	3,0/450	58	100	40	2,4
G2E 160-AY47 -01	M2E 068-EC	②	230	50	600	2100	240	1,05	6,0/400	72	0	50	3,9
R2E 160-AY47 -01			230	60	570	2100	280	1,23	6,0/400	71	50	40	2,6
G4E 160-AB01 -01	M4E 068-CF	③	230	50	410	1300	67	0,30	2,0/450	65	0	65	2,9
R4E 160-AB01 -01			230	60	445	1400	90	0,40	2,0/450	67	0	65	1,7

subject to alterations

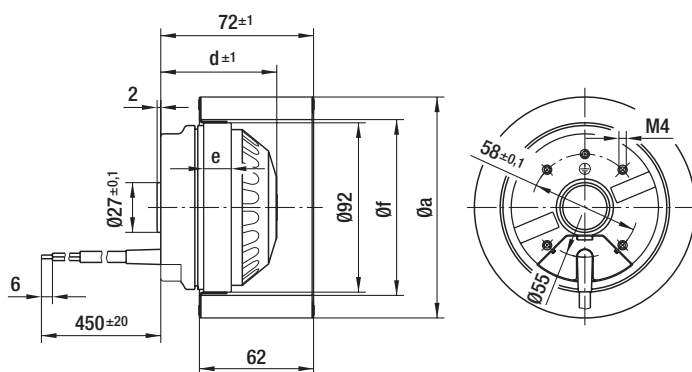
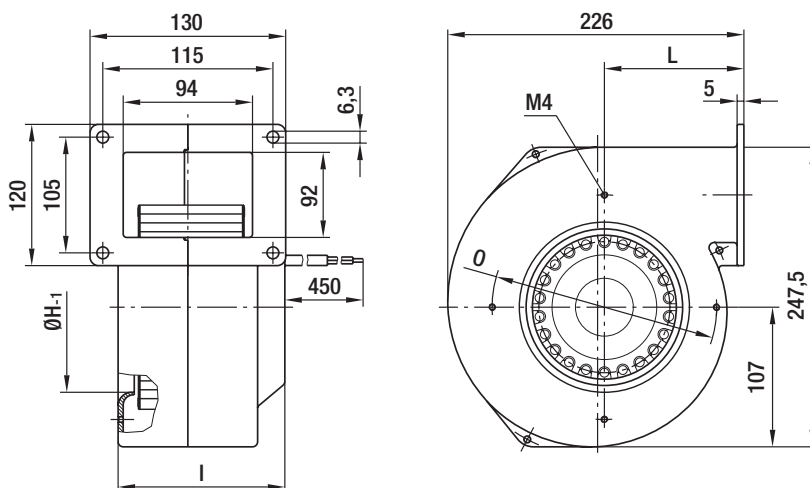
	n [min⁻¹]	P ₁ [W]
① ①	1835	136
① ②	2070	126
② ①	2210	223
② ②	2525	172
③ ①	1350	63
③ ②	1395	58

Characteristics



Dimensions

Type	H	I	L	O	a	d	e	f
G2E 146-DW07 -01 R2E 146-AW07 -05	125,5	104	101	158	146	68	20	127
G2E 160-AY47 -01 R2E 160-AY47 -01	130,0	100	103	175	160	91	42	131
G4E 160-AB01 -01 R4E 160-AB01 -01	130,0	100	103	175	160	72	25	131



AC centrifugal blowers and fans

single inlet, Ø 180

- **Material:** scroll housing made of die-cast aluminium, impeller made of galvanised sheet steel
- **Type of protection:** IP 44
- **Approvals:** CE

ebm-papst • Mulfingen



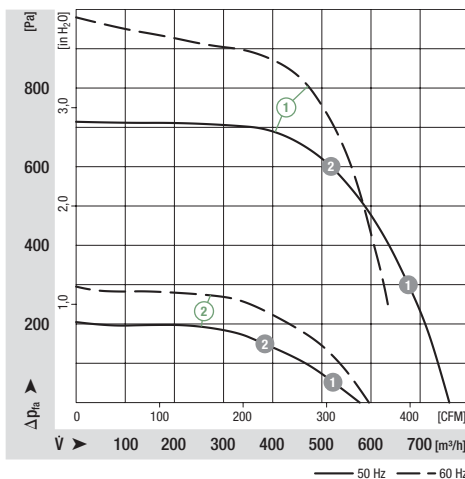
Nominal data

Type	Motor	Characteristic	Voltage	Frequency	Air flow	Speed/rpm	Power input	Current draw	Capacitor	Sound pressure level	Min. back pressure	Perm. amb. temp.	Mass
Type	Motor		VAC	Hz	m³/h	min⁻¹	W	A	µF/VDB	dB(A)	Pa	°C	kg
G2E 180-EH03 -01	M2E074-EI	①	230	50	760	1950	400	1,75	8,0/400	73	0	40	5,6
			230	60	630	2150	415	1,82	8,0/400	71	250	40	
G4E 180-AB01 -01 R4E 180-AB01 -05	M4E068-DF	②	230	50	575	1250	110	0,49	3,0/450	65	0	55	3,7
			230	60	594	1300	145	0,64	3,0/450	65	0	45	

subject to alterations

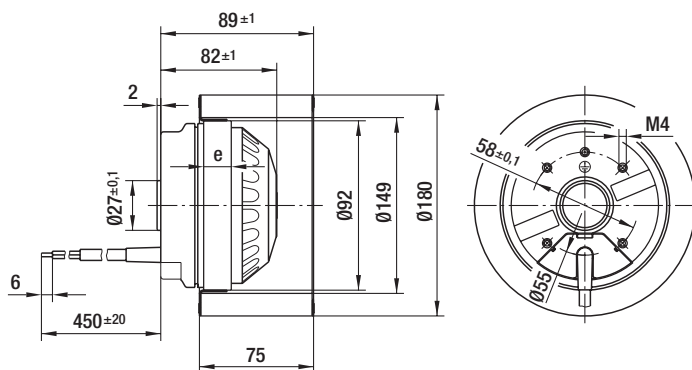
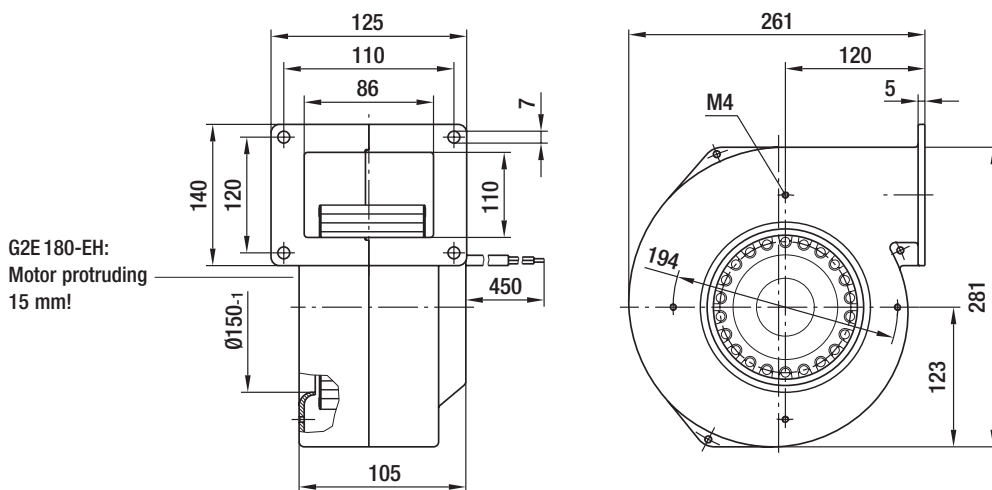
	n [min⁻¹]	P ₁ [W]
① ①	2290	335
① ②	2600	255
② ①	1300	105
② ②	1385	92

Characteristics



Dimensions

Type	e
G2E 180-EH03 -01	48
G4E 180-AB01 -01	35
R4E 180-AB01 -05	35



AC centrifugal blowers and fans

single inlet, Ø 180

- **Material:** scroll housing and impeller made of galvanised sheet steel
- **Type of protection:** IP 44



ebm-papst • Mulfingen

Nominal data		Characteristic	Voltage	Frequency	Air flow	Speed/rpm	Power input	Current draw	Capacitor	Sound pressure level	Min. back pressure	Perm. amb. temp.	Mass
Type	Motor		VAC	Hz	m³/h	min⁻¹	W	A	µF/VDB	dB(A)	Pa	°C	kg
G4D 180-FF20 -01 R4D 180-AF20 -05	M4D074-DF	①	230/400	50	1010	1330	175	0,39	---	67	0	60	6,4
			230/400	60	1090	1440	240	0,43	---	69	0	55	3,2
G4D 180-GF20 -01 ⁽¹⁾	M4D074-DF	②	230/400	50	1110	1290	195	0,40	---	69	0	60	6,4
			230/400	60	1180	1370	265	0,47	---	70	0	45	6,4
G4E 180-FS11 -01 R4E 180-AS11 -05	M4E074-DF	③	230	50	965	1220	160	0,71	4,0/400	66	0	60	6,4
			230	60	935	1200	197	0,87	4,0/400	65	0	40	3,2
G4E 180-GS11 -01 ⁽¹⁾	M4E074-DF	④	230	50	1030	1130	180	0,80	4,0/400	66	0	45	6,4
			230	60	910	1170	200	0,88	4,0/400	64	50	35	6,4

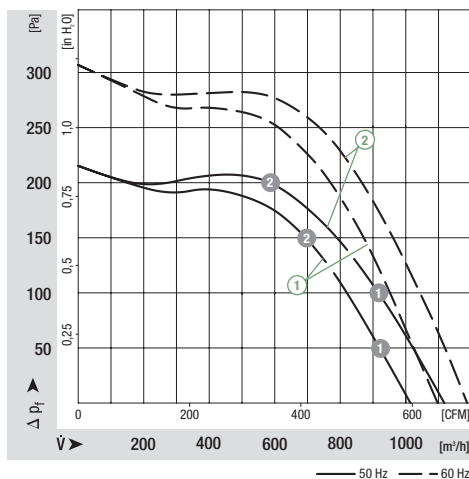
subject to alterations

⁽¹⁾ data collected via exhaust duct of 1 m length serving as diffuser

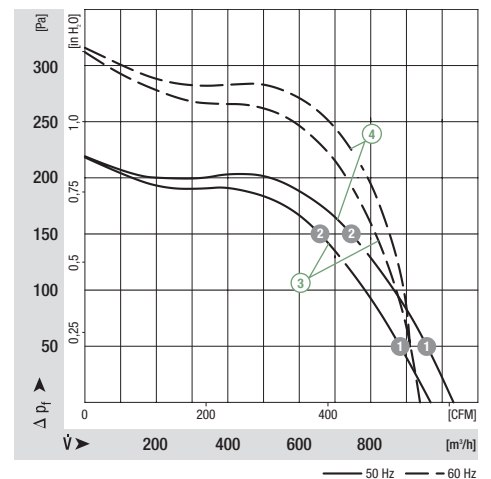
	n [min ⁻¹]	P ₁ [W]
① ①	1360	160
① ②	1410	120
② ①	1360	163
② ②	1420	105

	n [min ⁻¹]	P ₁ [W]
③ ①	1280	142
③ ②	1375	112
④ ①	1210	160
④ ②	1340	123

Characteristics

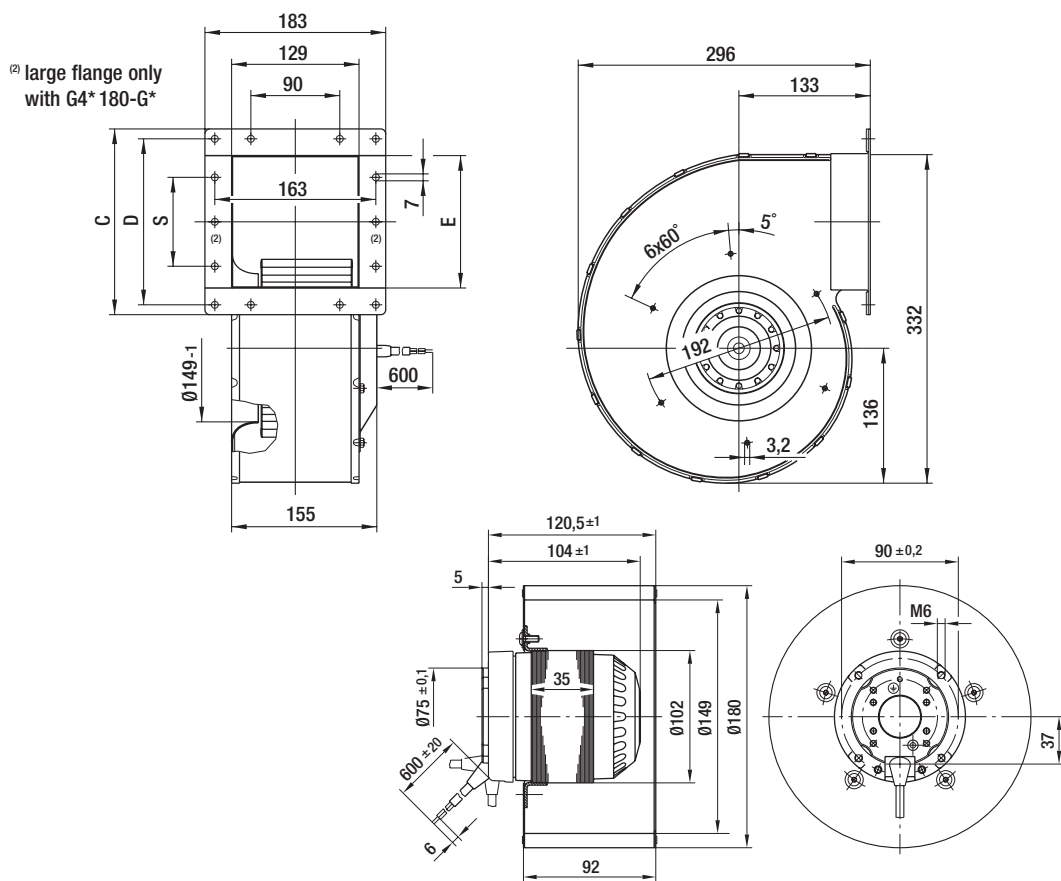


Characteristics



Dimensions

Type	C	D	E	S
G4D 180-FF20 -01 R4D 180-AF20 -05	188	168	134	90
G4D 180-GF20 -01	278	258	224	180
G4E 180-FS11 -01 R4E 180-AS11 -05	188	168	134	90
G4E 180-GS11 -01	278	258	224	180



AC centrifugal blowers and fans

single inlet, Ø 200

- **Material:** scroll housing and impeller made of galvanised sheet steel
- **Type of protection:** IP 44



ebm-papst • Mulfingen

Nominal data		Characteristic	Voltage	Frequency	Air flow	Speed/rpm	Power input	Current draw	Capacitor	Sound pressure level	Min. back pressure	Perm. amb. temp.	Mass
Type	Motor		VAC	Hz	m³/h	min⁻¹	W	A	µF/VDB	dB(A)	Pa	°C	kg
G4D 200-BL12 -01 R4D 200-AL12 -05	M4D074-EI	①	230/400	50	1375	1350	285	0,58	---	69	0	45	7,0
			230/400	60	1360	1530	360	0,65	---	69	100	45	3,7
G4D 200-CL12 -01 ⁽¹⁾	M4D074-EI	②	230/400	50	1665	1300	360	0,66	---	71	0	45	7,0
			230/400	60	1220	1550	340	0,62	---	69	250	40	7,0
G4E 200-BL03 -01 ⁽²⁾⁽³⁾ R4E 200-AL03 -05 ⁽²⁾⁽³⁾	M4E074-EI	③	230	50	1370	1300	280	1,25	8,0/400	69	0	40	7,0
			230	60	1315	1480	350	1,55	8,0/400	69	100	40	3,7
G4E 200-CL03 -01 ⁽¹⁾⁽²⁾⁽³⁾	M4E074-EI	④	230	50	1540	1240	330	1,45	8,0/400	70	0	50	7,0
			230	60	1300	1430	370	1,62	8,0/400	68	170	40	7,0

subject to alterations

⁽¹⁾ data collected via exhaust duct of 1 m length serving as diffuser

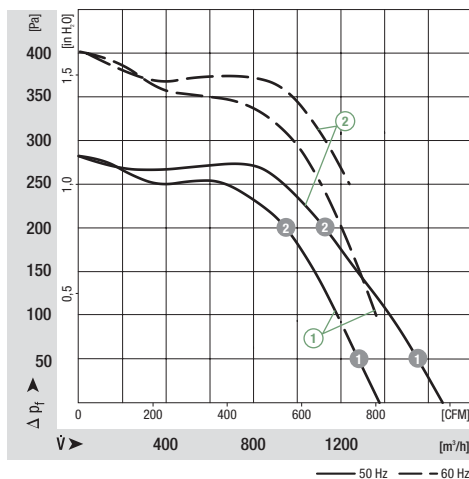
⁽²⁾ FPU (P2) capacitor in keeping with IEC 252

⁽³⁾ insulation class "F"

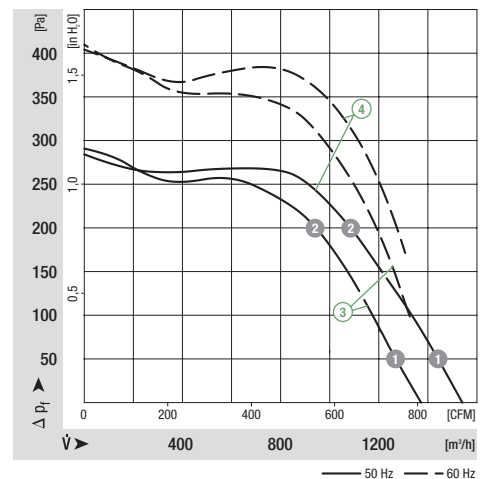
	n [min⁻¹]	P ₁ [W]
① ①	1375	255
① ②	1415	192
② ①	1315	330
② ②	1385	230

	n [min⁻¹]	P ₁ [W]
③ ①	1350	258
③ ②	1400	214
④ ①	1285	303
④ ②	1370	242

Characteristics

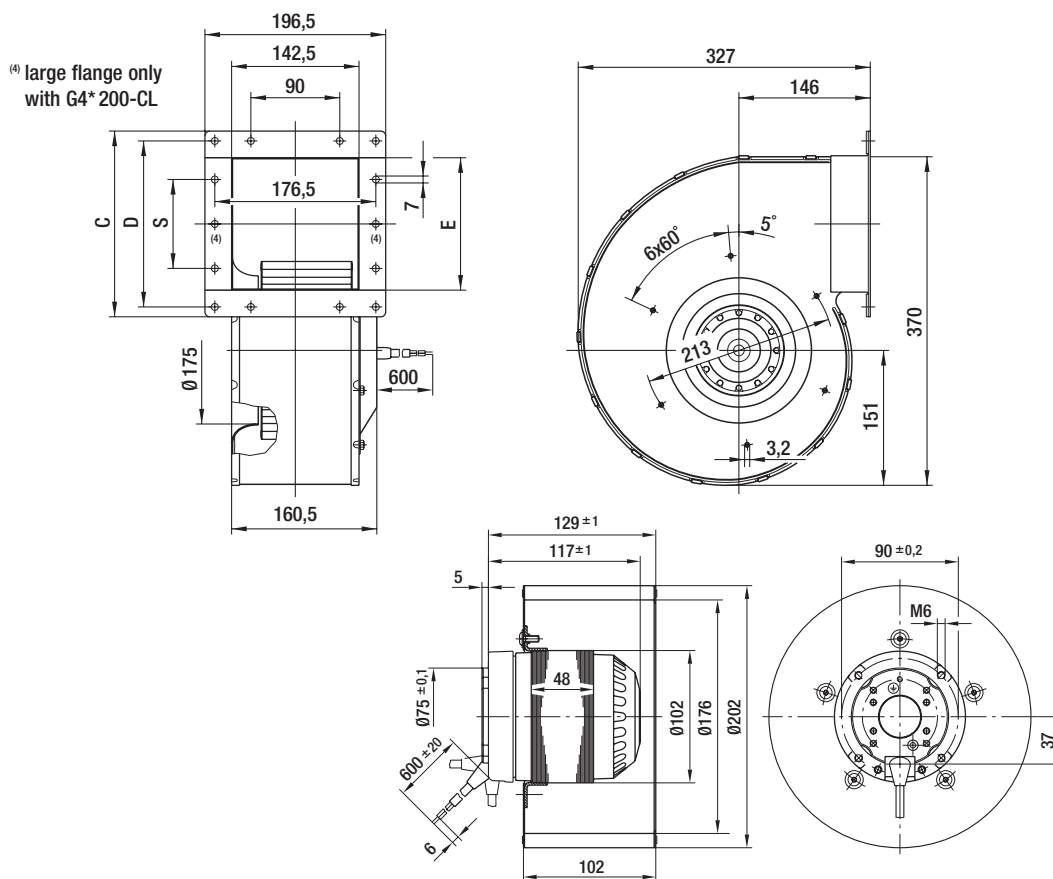


Characteristics



Dimensions

Type	C	D	E	S
G4D 200-BL12 -01 R4D 200-AL12 -05	200	180	146	90
G4D 200-CL12 -01	304	284	250	180
G4E 200-BL03 -01 R4E 200-AL03 -05	200	180	146	90
G4E 200-CL03 -01	304	284	250	180



AC centrifugal blowers

single inlet, Ø 225



- **Material:** scroll housing and impeller made of galvanised sheet steel
- **Type of protection:** IP 54 (please note drilled condensate discharges)
- **Insulation class:** "F"
- **Directive:** complying with EN 60034-1
- **Motor protection:** thermal overload protector brought out
- **Approvals:** CE

ebm-papst • Mulfingen

Nominal data		Characteristic	Voltage	Frequency	Speed/rpm ⁽¹⁾	Max. power input ⁽¹⁾	Max. current draw ⁽¹⁾	Capacitor	Min. back pressure	Perm. amb. temp.	Mass
Type	Motor		VAC	Hz	min ⁻¹	W	A	µF/VDB	Pa	°C	kg
G4D 225-FK10 -03 ⁽²⁾	M4D094-FA	①	400 Y	50	1350	380	0,75	---	0	90	9,7
			400 Y	60	1500	540	0,94	---	50	55	
G4D 225-GK10 -03 ⁽²⁾⁽³⁾	M4D094-FA	②	400 Y	50	1310	460	0,85	---	0	75	9,7
			400 Y	60	1520	515	0,90	---	200	60	
G4E 225-DK05 -03	M4E094-FA	③	230	50	1330	395	1,98	6,0/450	0	70	9,8
			230	60	1500	500	2,30	6,0/450	100	50	
G4E 225-EK05 -03 ⁽³⁾	M4E094-FA	④	230	50	1260	485	2,30	6,0/450	0	55	9,8
			230	60	1470	510	2,30	6,0/450	200	45	

subject to alterations

⁽¹⁾ in operating point with maximum load

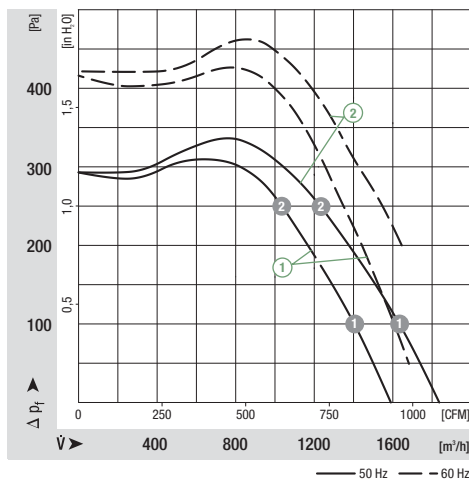
⁽²⁾ 400 VAC Δ/Y for two speed steps available on request

⁽³⁾ data collected via exhaust duct of 1 m length serving as diffuser

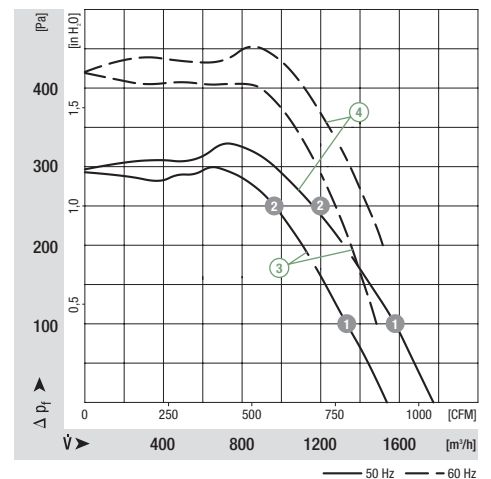
	n [min ⁻¹]	P ₁ [W]	I [A]	Lp _A [dBA]
① ①	1380	325	0,69	71
① ②	1420	228	0,60	67
② ①	1345	388	0,76	74
② ②	1400	271	0,64	69

	n [min ⁻¹]	P ₁ [W]	I [A]	Lp _A [dBA]
③ ①	1365	339	1,75	67
③ ②	1415	255	1,46	70
④ ①	1320	401	2,00	74
④ ②	1395	292	1,57	69

Characteristics



Characteristics



AC centrifugal blowers

single inlet, Ø 250



- **Material:** scroll housing and impeller made of galvanised sheet steel
- **Type of protection:** IP 54 (please note drilled condensate discharges)
- **Insulation class:** "F"
- **Directive:** complying with EN 60034-1
- **Motor protection:** thermal overload protector brought out
- **Approvals:** CE

ebm-papst • Muldingen

Nominal data		Characteristic	Voltage	Frequency	Speed/rpm ⁽¹⁾	Max. power input ⁽¹⁾	Max. current draw ⁽¹⁾	Capacitor	Min. back pressure	Perm. amb. temp.	Mass
Type	Motor	VAC	Hz	min ⁻¹	W	A	µF/VDB	Pa	°C	kg	
G4D 250-DC10 -03⁽²⁾	M4D094-HA	①	400 Y	50	1350	590	1,17	---	0	80	13,5
			400 Y	60	1560	710	1,26	---	150	60	
G4D 250-EC10 -03⁽²⁾⁽³⁾	M4D094-HA	②	400 Y	50	1280	800	1,46	---	0	50	13,5
			400 Y	60	1560	700	1,24	---	300	55	
G4E 250-DA09 -03	M4E094-HA	③	230	50	1310	570	2,48	10 / 450	0	70	13,1
			230	60	1470	690	3,05	10 / 450	100	55	
G4E 250-EA09 -03⁽³⁾	M4E094-HA	④	230	50	1150	760	3,80	10 / 450	0	45	13,1
			230	60	1400	730	3,30	10 / 450	220	55	
G6E 250-DK05 -03	M6E094-FA	⑤	230	50	850	220	1,00	6,0 / 450	0	80	11,4
			230	60	900	295	1,30	6,0 / 500	0	80	
G6E 250-EK05 -03⁽³⁾	M6E094-FA	⑥	230	50	780	255	1,15	6,0 / 450	0	80	11,4
			230	60	760	305	1,35	6,0 / 500	0	70	

subject to alterations

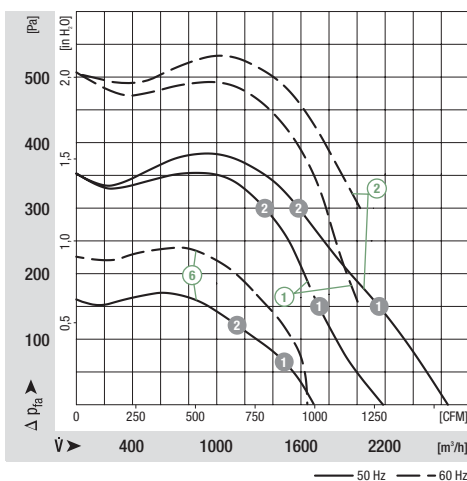
⁽¹⁾ in operating point with maximum load

⁽²⁾ 400 VAC Δ/Y for two speed steps available on request

⁽³⁾ data collected via exhaust duct of 1 m length serving as diffuser

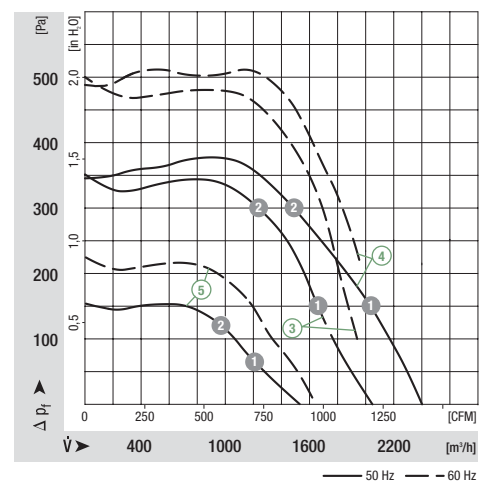
	n [min ⁻¹]	P ₁ [W]	I [A]	Lp _A [dB(A)]
① ①	1390	444	0,99	72
① ②	1430	312	0,87	70
② ①	1330	654	1,13	76
② ②	1410	386	0,94	71
⑥ ①	855	215	0,96	65
⑥ ②	910	173	0,79	62

Characteristics



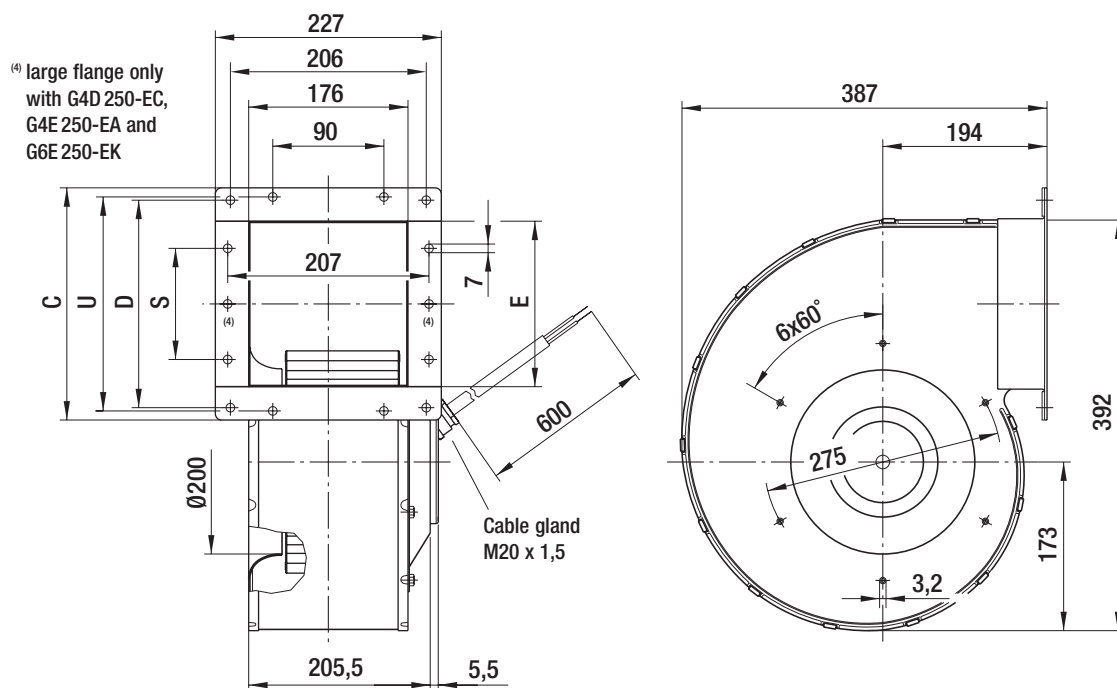
	n [min ⁻¹]	P ₁ [W]	I [A]	Lp _A [dB(A)]
③ ①	1370	448	2,25	70
③ ②	1420	325	1,85	68
④ ①	1310	560	2,73	73
④ ②	1390	395	2,05	69
⑤ ①	900	180	0,82	63
⑤ ②	930	156	0,74	61

Characteristics



Dimensions

Type	C	D	E	S	U
G4D 250-DC10 -03	218	190	167	90	198
G4D 250-EC10 -03	313	285	262	180	293
G4E 250-DA09 -03	218	190	167	90	198
G4E 250-EA09 -03	313	285	262	180	293
G6E 250-DK05 -03	218	190	167	90	198
G6E 250-EK05 -03	313	285	262	180	293



AC centrifugal blowers

single inlet, Ø 280



- **Material:** scroll housing and impeller made of galvanised sheet steel
- **Type of protection:** IP 44
- **Insulation class:** "F"
- **Directive:** complying with EN 60034-1
- **Motor protection:** thermal overload protector brought out
- **Approvals:** CE

ebm-papst • Muldingen

Nominal data		Characteristic	Voltage	Frequency	Speed/rpm ⁽¹⁾	Max. power input ⁽¹⁾	Max. current draw ⁽¹⁾	Capacitor	Min. back pressure	Perm. amb. temp.	Mass	
Type	Motor		VAC	Hz	min ⁻¹	W	A	µF/VDB	Pa	°C	kg	
G4E 280-CA21 -01	M4E094-HA	①	230 230	50 60	1100 1350	1080 990	5,30 4,70	12 / 400 12 / 450	100 400	60 55	14,0	preliminary data!

subject to alterations

Characteristics (preliminary data!)

