

Speed controllers—REE



- **General remarks:** This control provides a simple solution to speed controlling a fan or fans. It has a manual dial which can change the fan speed from a minimum setting (factory set to approx 20%) to 100%.

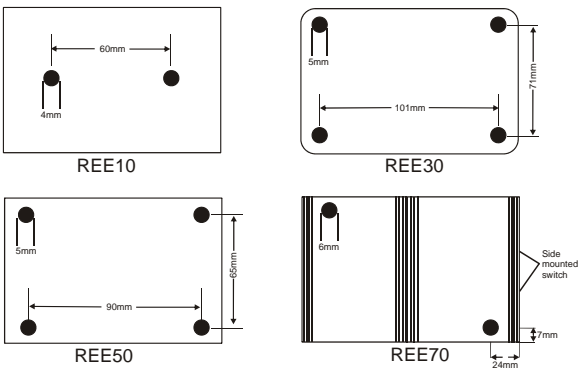
Features:

- Current rating options 1, 3, 5 & 7
- ON/OFF switch
- Internal present for minimum speed
- Two wire control = simple connection, OR
- Three wire control = cooler running of fan motor and better response to speed adjustment
- Should be positioned in a dry sheltered location

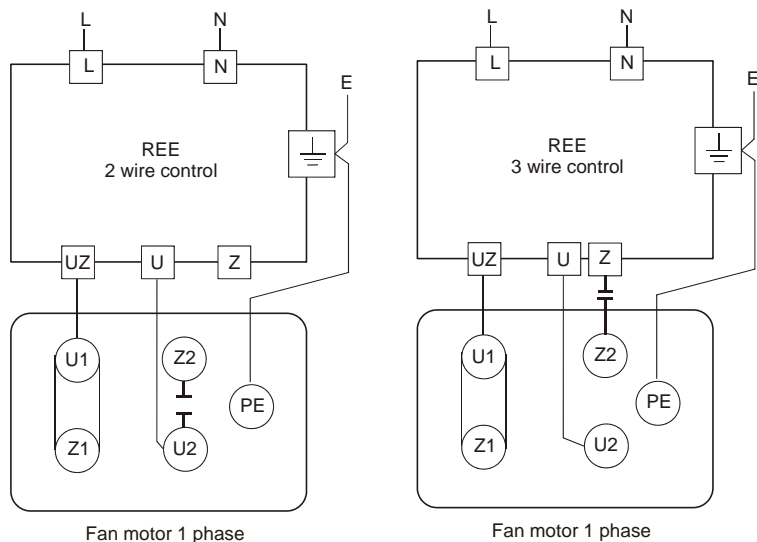
Nominal data	Supply voltage	Max current rating	Max .amb. temp.	Width	Height	Depth
Type			°C	mm	mm	mm
REE10	230V 50/60Hz	1A	+40	104	84	40
REE30	230V 50/60Hz	3A	+40	131	101	50
REE50	230V 50/60Hz	5A	+40	118	95	57
REE70	230V 50/60Hz	7A	+40	120	95	73

Subject to alterations

Rear mounting diagram



Connection diagram Line voltage 230V 50/60 Hz



Electromagnetic compatibility

These controllers comply with the relevant EC council Directives, EMC Directive 89/336/EEC and amendment 92/31/EEC. Applied Harmonised standards EN50081-1 and EN500821.

Suppression

These controllers incorporate illuminated isolator switch, have radio interference suppression to BS800/1977, CISPR and VDE 0875 (residential applications and installations).