

DS85 Series

Differential pressure sensor



The DS85 series of differential pressure sensors are suitable for measuring pressure difference in air or any other non-aggressive gas. Two pressure tapplings feed either side of a silicon membrane which deflects to convert the pressure difference into a 0-10V DC signal. The output is linear and proportional to the pressure difference with respect to the range of the sensor. For example, a difference of 250Pa measured on a DS85 with a range of 0-500 Pa will give an output of 5V DC.

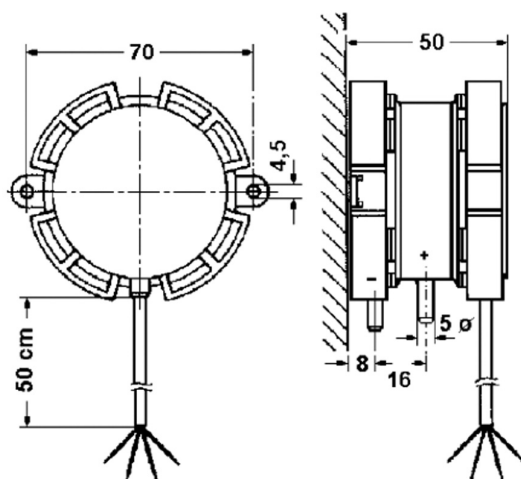
The DS85 can be connected directly to ebm-papst EC centrifugal fans with integrated electronics or suitable controller with a 0-10V input. When used with a special inlet ring incorporating its own pressure tapping a constant air volume system can also be created.

Part Number	Range Pa	Supply Voltage* A	Current mA	Output VDC	Ambient Temperature °C	IP Rating	Weight mm
DS85-50	0-50	24	12	0-10	0... +50	65	0.09
DS85-200	0-200	24	12	0-10	0... +50	65	0.09
DS85-500	0-500	24	12	0-10	0... +50	65	0.09
DS85-1000	0-1000	24	12	0-10	0... +50	65	0.09

*Supply voltage range is 15 to 30 V DC or 24V AC +/- 15%

The unit must be mounted vertically. Air connection by plastic hose, internal diameter 4mm.

Dimensions



Wiring Diagram

