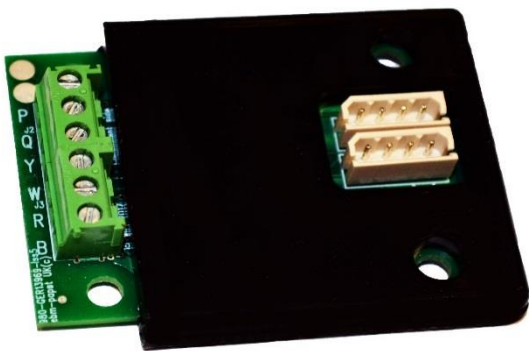


Part No	CGCXX00000		
Description	Configurable Generic Controller (CGC)		
			
Issue	Date	Author	Comments
2	30/09/2019	F.Pagliarini	Second Release

Safety Notice

⚠ CAUTION – Safety

- The configurable generic controller is only suitable for a low voltage (10V or 12 to 57V DC) supply
- Electrical installations should only be carried out by qualified personnel

⚠ CAUTION – Electro-Static Discharge

Many modern electronic components are susceptible to damage from Electro-Static Discharge (Static Electricity). During programming and commissioning, avoid unnecessary contact with electronic components on PCB's. PCB's which are sensitive to static discharges should be stored and transported in anti-static packaging until they are required to be used.

⚠ Warning – Do not operate in an explosive atmosphere

⚠ Warning – Fan may start during connection and programming. Secure fan safely before applying power

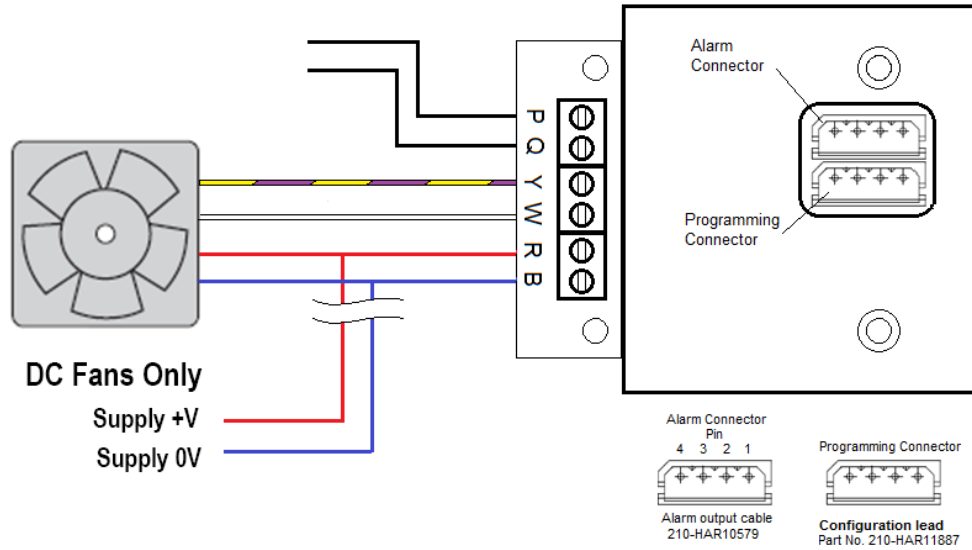
	CGCXX00000
Supply Voltage	10V or 12 to 57V DC
Supply Current	Up to 1 mA (@10VDC), Up to 4.5mA (@57V)
Control Output	Programmable 0-10V DC at 2KHz or Open collector PWM at 8KHz (Control) Open Collector Alarm Output maximum sink 60Vdc – 100mA (Monitor)
Control Inputs	Programmable Temperature or 0-10V (Control) Open Collector fan Tachometer (Monitor)
Maximum Number of Fans	16 x EC Fans (10V – 1mA supply) 100 x EC Fans (12-48Vdc supply) *100 x DC Fans (12-48Vdc supply)
Operating Temperature	-30°C to +60°C

*multiple DC fans are not recommended due to the potential negative effect on the speed control in case of fan failure(s)

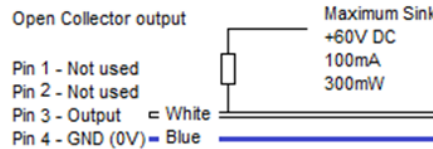
Accessories

Thermistor lead	SN1060 (included with the controller)
Configuration lead	210-HAR11887
Alarm lead	210-HAR10579 (included with the controller)

Connections



Alarm Output details



Terminal	Temperature Control Mode	0-10V control input Mode
P	Thermistor Connection +ve	0-10V control signal input
Q	Thermistor connection GND (0V)	GND (0V) control signal input
Y	Speed control output (User Configurable) - Open Collector PWM or Analogue 0-10V	
W	Open collector Tacho input	
R	10V or 12V to 57V DC supply	
B	GND (0V)	

Transport and Storage

- PCBs should be transported in anti-static build-up bag or static dissipative bags.
- Store in a dry environment
- Storage temperature: -30°C to +70°C.

Maintenance and Servicing

There are no user serviceable parts.

Operating and Programming instructions

To download the full operating and maintenance instructions, the programming software, the instruction manual for the software and example configuration files, please visit www.ebmpapst.co.uk/cgc
 The CE documentation can be found on the full operating and maintenance instructions available from the website